



CLYDESDALE BATTERIES

CLY-1275



Applications

- Aerial Work Platforms
- Floor Cleaning Machines
- Lighting Boards
- Golf Carts & Utility Vehicles
- Material Handling
- Solar

Certificates



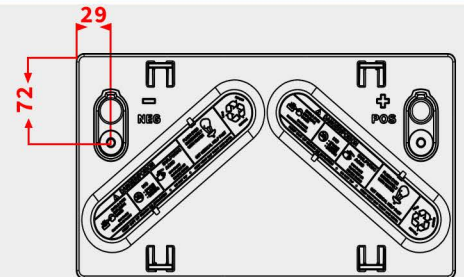
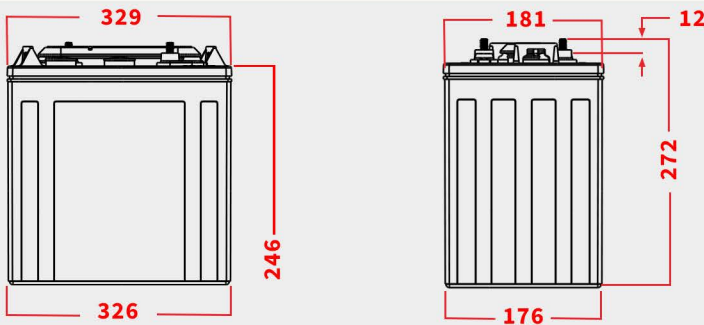
CLYDESDALE BATTERY
COMPANY WITH
QUALITY SYSTEM
CERTIFIED BY DNV
= ISO 9001:2015 =

Specification

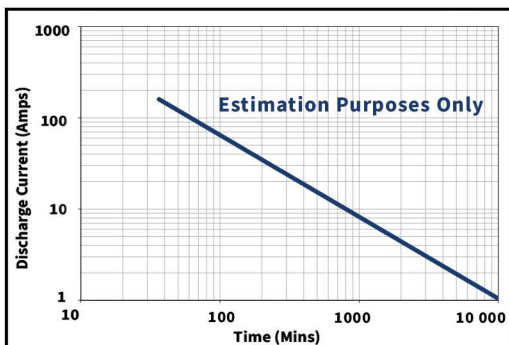
Nominal Voltage	12 V
Nominal Capacity	145 Ah
Battery Type	Lead Acid Flooded
Terminal	Embedded low profile terminal
Approx Weight	Approx 37kg (81.5lbs)
Container Material	Polypropylene
Rated Capacity	160 Ah 100 Hour Rate 145 Ah 20 Hour Rate 129 Ah 10 Hour Rate 116 Ah 5 Hour Rate
Reserve Capacity	Reserve @ 56 AMPS 98 Minutes
Operating Temperature	Discharge -20 ~ 45°C Charge -20 ~ 45°C (-4~ 122°F) Storage Recommended as close to 25°C as possible
Charge Method (25°C)	Bulk Charge 14.82V Float Charge 13.50V Equalization Charge 16.20 Max Charge Current 0.5C
Self Discharge	5 - 15% per month depending on storage temperature conditions

Dimension: 329 (L) x 181 (W) x 272 (H) Unit: mm

Terminal



Performance



Percent Capacity

VS

Temperature

